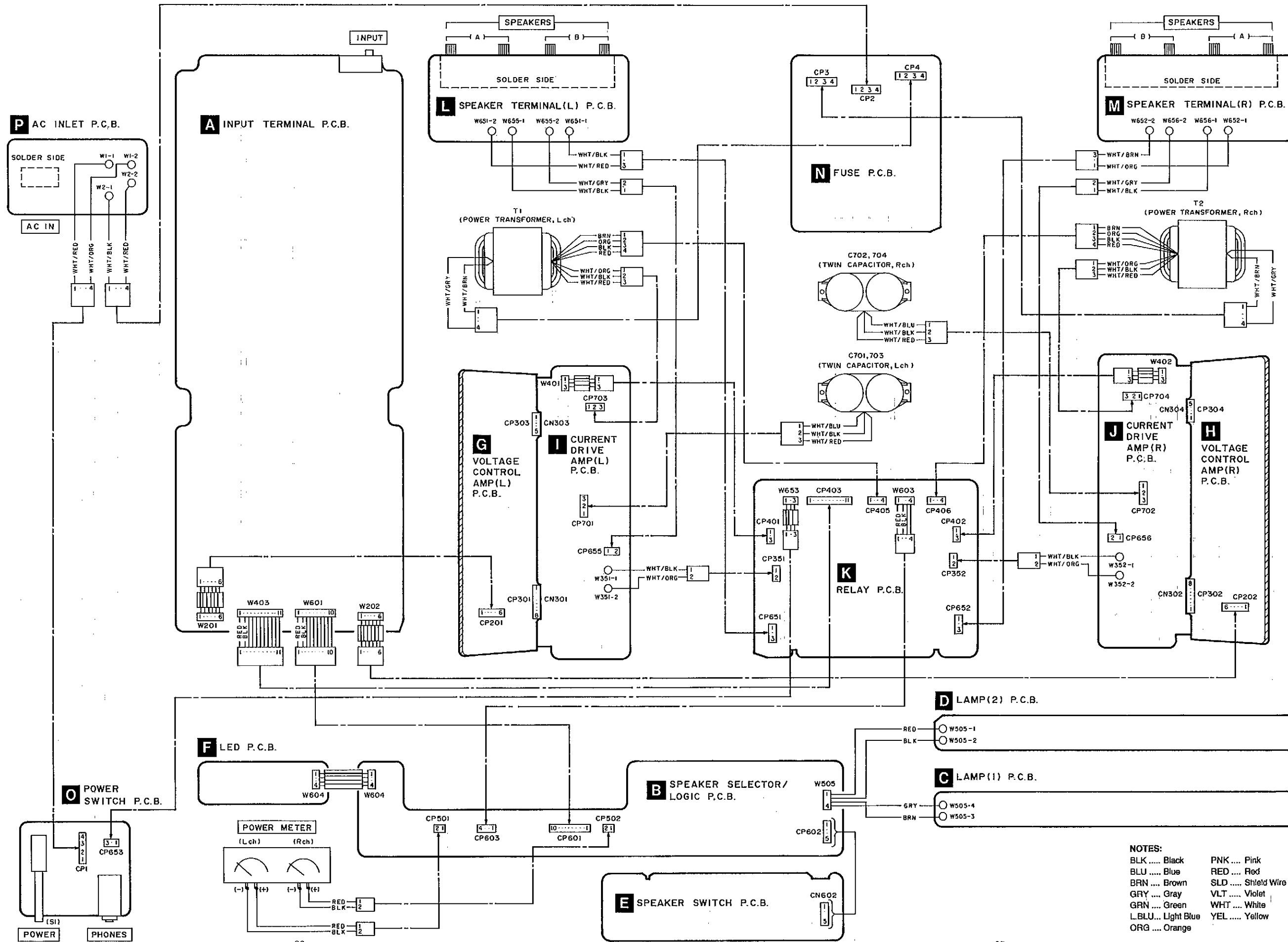


WIRING CONNECTION DIAGRAM



NOTES:
 BLK Black PNK Pink
 BLU Blue RED Red
 BRN Brown SLD Shield Wire
 GRY Gray VLT Violet
 GRN Green WHT White
 L.BLU... Light Blue YEL Yellow
 ORG Orange

REPLACEMENT PARTS LIST

Note: *The parenthesized indications in the Remarks columns specify the areas. (Refer to the cover page for area.)
 Parts without these indications can be used for all areas.

Ref. No.	Part No.	Part Name & Description	Remarks	Ref. No.	Part No.	Part Name & Description	Remarks
				43	SKL306	RUBBER FOOT	
				44	SUM2987	METER HOLDER	
				45	XTBS3+10JFZ1	SCREW	
1	RGK0397-K	CABINET ORNAMENT (L) - (R)		46	XTB3+10JFZ	SCREW	
2	RFKNA2000EGA	SIDE PANEL (L) ASS'Y		47	XTB3+20J	SCREW	
3	RFKNA2000EGB	SIDE PANEL (R) ASS'Y		48	XTB3+8JFZ	SCREW	
4	RHD30034	SCREW		49	XTB4+16FFZ	SCREW	
5	RFKKEA2000EG	CABINET ASS'Y		50	XTB4+8FFZ	SCREW	
6	SNE2095-5	SCREW		51	XWEGX12PVC	WASHER	
7	SNE2129-3	SCREW		52	RMQ0111	RADIATOR ANGLE	
8	XTBS3+8JFZ1	SCREW		53	SNE2117-1	SCREW	
9	RFKEA2000EGA	CONNECTOR ASS'Y (2P)		54	RMV0036	SUB RADIATING PLATE (L) - (R)	
10	RGQ0085-K	FOOT SPACER		55	XYN3+F8	SCREW	
11	RGRO069B-B	SUB REAR PANEL		56	REZ0158	CONNECTOR ASS'Y (3P)	
12	RGRO172A-A	REAR PANEL	(EG)	57	RFKEA2000EGB	CONNECTOR ASS'Y (2P)	
12	RGRO172A-B	REAR PANEL	(EB)	58	RFKEA2000EGC	CONNECTOR ASS'Y (2P)	
12	RGRO172B-A	REAR PANEL	(G)	59	RFKEA2000EGD	CONNECTOR ASS'Y (3P)	
13	RKU0018-2	BOTTOM CHASSIS		60	RFKEA2000EGE	CONNECTOR ASS'Y (3P)	
14	RFMA0250	SIDE ANGLE (L)		61	RFKEA2000EGF	CONNECTOR ASS'Y (3P)	
15	RFMA0251	SIDE ANGLE (R)		62	RFKEA2000EGG	CONNECTOR ASS'Y (3P)	
16	RFMA0697	P. C. B. HOLDER		63	RFKEA2000EGH	CONNECTOR ASS'Y (4P)	
17	RFMA0698	METER HOLDER		64	RFKEA2000EGI	CONNECTOR ASS'Y (4P)	
18	RFKNA2000EGC	TRANSFORMER CHASSIS (L) ASS'Y		65	RFKEA2000EGJ	CONNECTOR ASS'Y (4P)	
19	RFKNA2000EGD	TRANSFORMER CHASSIS (R) ASS'Y		66	RFKEA2000EGK	CONNECTOR ASS'Y (6P)	
20	RMQ0112-1	CAPACITOR HOLDER		67	RFKEA2000EGL	CABLE ASS'Y (4P)	
21	RMQ0113	P. C. B. HOLDER (R)		68	RFKEA2000EGM	CONNECTOR ASS'Y (11P)	
22	RMQ0114	P. C. B. HOLDER (L)		69	RFKEA2000EGN	CONNECTOR ASS'Y (4P)	
23	RSC0077A	PRE SHIELD CASE		70	RFKEA2000EGP	CONNECTOR ASS'Y (10P)	
24	RSC0078A	DAC CASE		71	RFKEA2000EGQ	CONNECTOR ASS'Y (5P)	(G)
25	RSE0003	METER		72	XTBS3+8JFZ1	SCREW	(G)
26	RFKGEA2000EG	FRONT PANEL ASS'Y		73	RHM85001	WAVE WASHER	
27	RGK0557-T	TRANSPARENT GLASS		74	XWEGFZ	WASHER	
28	RGL0192-Q	PANEL LIGHT (A)		75	SHE187-2	P. C. B. SUPPORT	(G)
29	RGL0193-Q	PANEL LIGHT (B)		76	XTB3+20J	SCREW	(G)
30	RGU0512C-K	SPEAKERS BUTTON					
31	RGU0890-K	POWER SWITCH BUTTON					
32	RHD30042	SCREW					
33	RHN30004	NUT					
34	RFMA0699	LAMP HOUSE					
35	RFMD308-K	BUSHING (B)					
36	XTBS26+8J	SCREW					
37	XTWS3+8T	SCREW					
38	XWG3	WASHER					
39	SHE187-2	P. C. B. SUPPORT					
40	SHR415	LATCH					
41	SHR9814	CLAMPER					
42	SJS9231A	AC INLET COVER					

CABINET PARTS LOCATION

